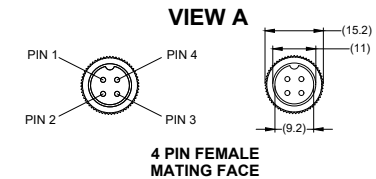
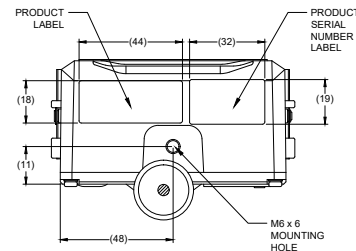
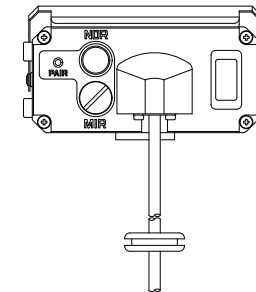
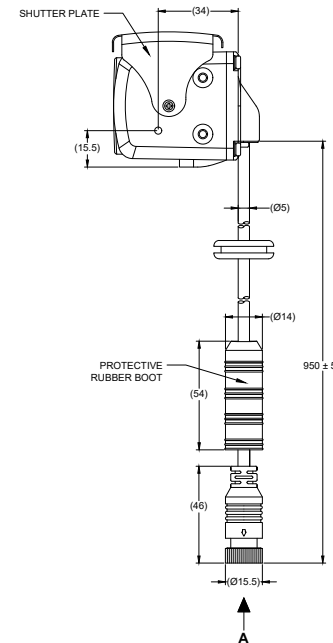
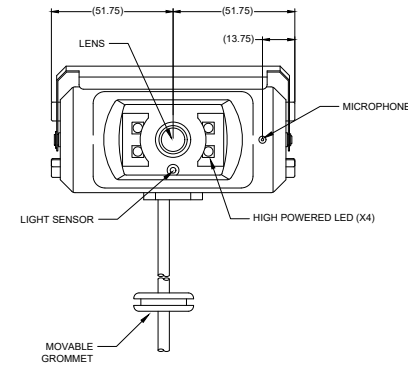
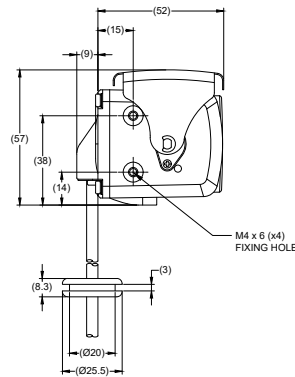
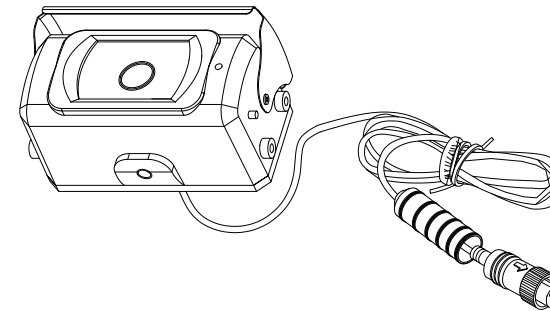
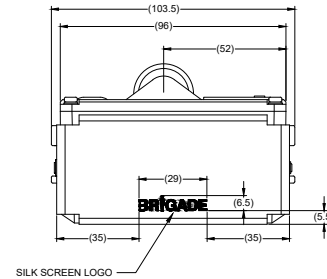


Revision Notes.

R1 - Whole drawing updated to capture additional motor limiter as per CR-1172A

APA: J. LAM Drawn: L. CHEUNG Checked: D. FOALE Approved: S. LAVAL Date: 02/03/2026

| PART NO. | MODEL NO. | DESCRIPTION |
|----------|------------|---|
| (3659C) | VBV-710C-C | SELECT CAMERA, HEATED SHUTTER & AUDIO (PAL) - CAM ONLY |
| (3671C) | VBV-711C-C | SELECT CAMERA, HEATED SHUTTER & AUDIO (NTSC) - CAM ONLY |



| PIN # | WIRE COLOUR | DESCRIPTION |
|-------|--------------|-------------|
| 1 | RED | +12V |
| 2 | BLACK/SHIELD | GND |
| 3 | WHITE | AUDIO |
| 4 | YELLOW | VIDEO |

- NOTES:
1. FINISH IS BLACK, BRIGADE LOGO SILKSCREEN IS WHITE.
 2. FOR PRODUCT LABEL AND PACKAGING DETAILS REFER TO MASTER BOM.
 3. ANY CUSTOMER MODIFICATIONS OF THIS PRODUCT CAUSING SUBSEQUENT FAILURE IS NOT A RESPONSIBILITY OF BRIGADE.
 4. FIRMWARE VERSION ST-PC1058D-PN-08-V1.0 TO BE PRE-LOADED TO VBV-71XC MAIN BOARD DURING MANUFACTURE.

PROPRIETARY NOTICE
 THIS DESIGN AND TECHNICAL INFORMATION APPEARING ON THIS DRAWING IS THE PROPERTY OF BRIGADE ELECTRONICS, AND IS DISCLOSED IN CONFIDENCE. IT IS NOT TO BE COPIED, REPRODUCED, REVEALED TO OR EXPROPRIATED BY OTHERS, EITHER IN WHOLE OR IN PART WITHOUT THE EXPRESS WRITTEN CONSENT OF BRIGADE ELECTRONICS.

| | | | | |
|---------------------|---------------------------------------|----------------------|----------------------|---------------------|
| Sheet 1 of 1 | Assembly Pl Approval W. WU (28/07/20) | Approved by S. LAVER | Checked by C. WALKER | Drawn by J. STEWART |
| Customer Approval - | Angle of Projection Third Angle | Units mm | Scale N/A | Released 05/08/20 |
| Status RELEASED | | VBV-71XC-C | | |
| Part No VARIOUS | | BE-004305-01-20 | | |

